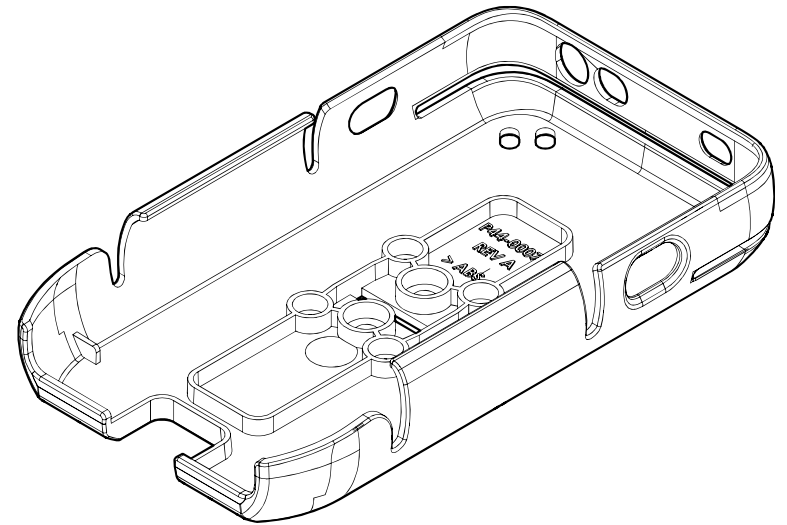


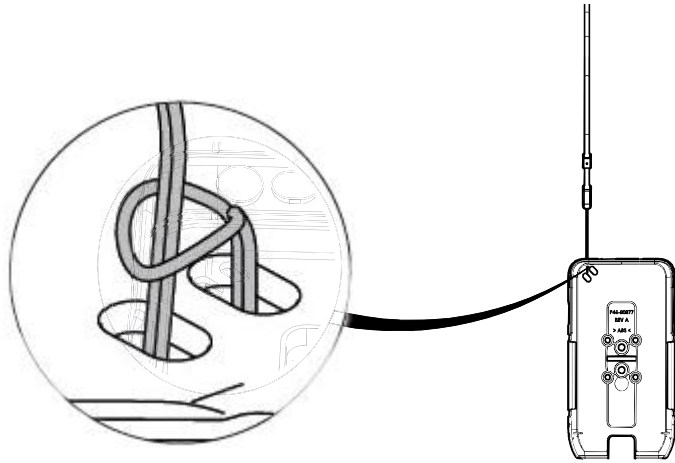
# Installation Guide

SPCM1XX

mCase

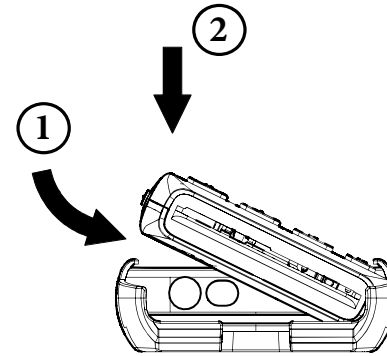


### Attaching lanyard

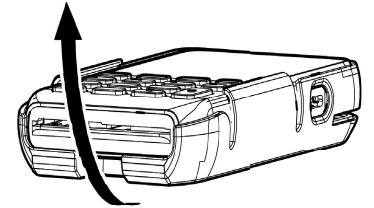


### Snap in terminal/Remove terminal

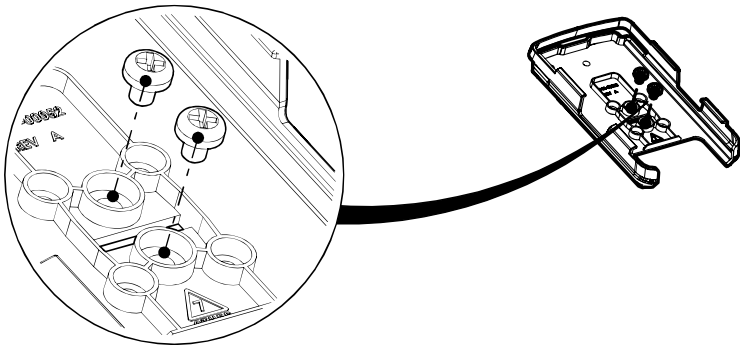
#### Snap in



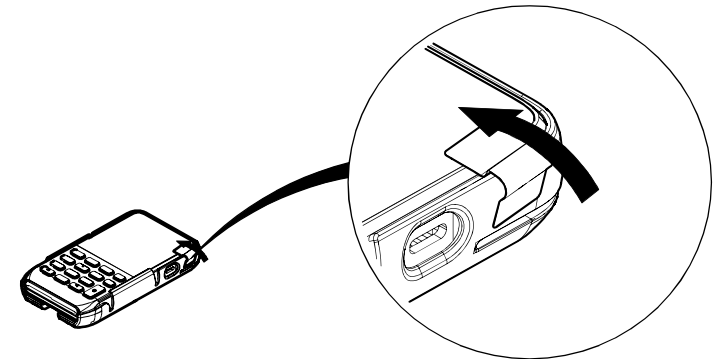
#### Remove



### Install mounting solution (Duratilt/Stack)



### Apply Tamper Seal



*Example image. Place the tamper seal in a suitable place to discourage tampering!*